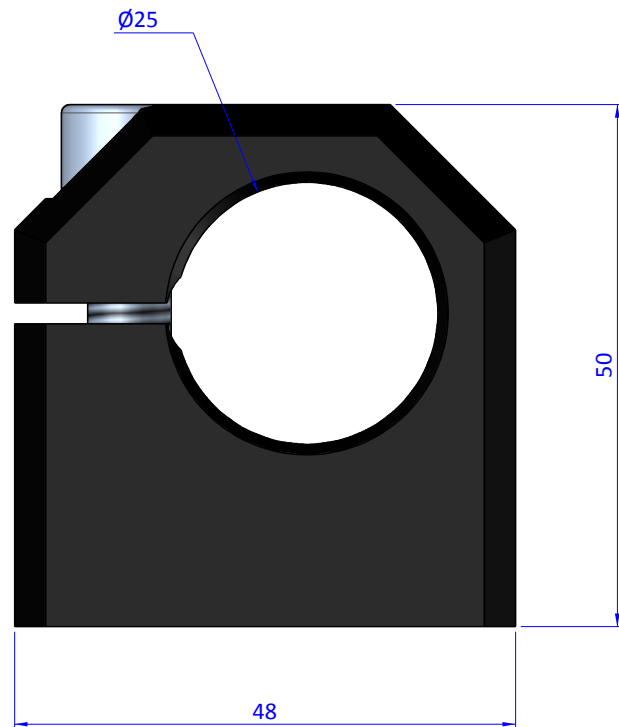
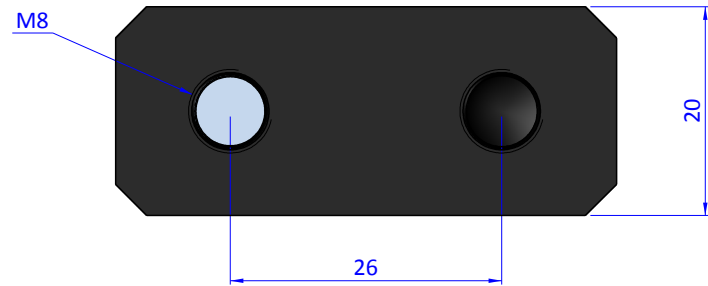
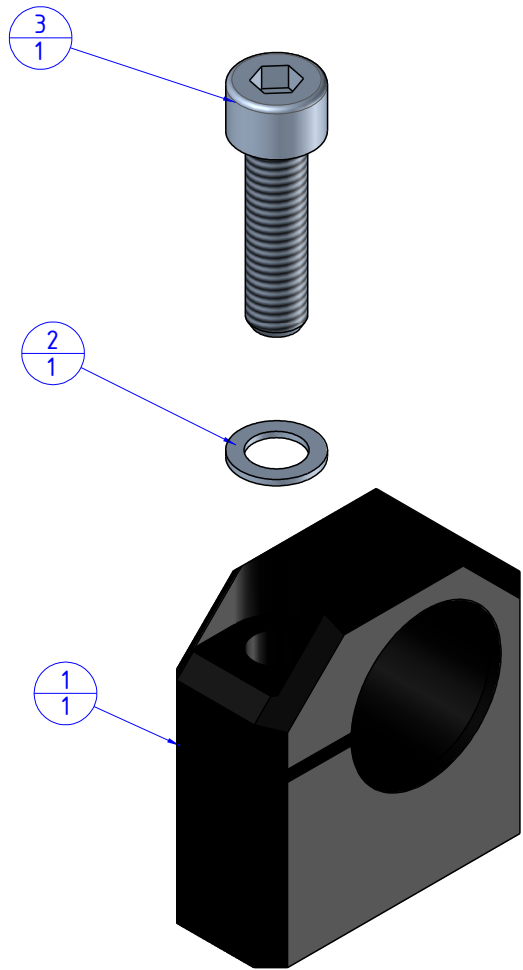


THE PROPERTY OF THE DRAWING IS ESTABLISHED BY LAW. IT IS FORBIDDEN TO PRODUCE OR SHOW IT TO THIRD PARTY, WITHOUT A WRITTEN AGREEMENT.

Item	Name	Q.ty
1	ARA.25	1
2	R.8.SCH	1
3	V.TCE8x30	1



Format A3

UNI 936-76

		DESIGNED FROM FPS Automation		REVIEW A
GENERAL TOLERANCE UNI - ISO 2768 CLASSE f		DATE 12/10/2018	WEIGHT 0,101kg	
DESCRIPTION CA.ARA.25		CODE CA.ARA.25		